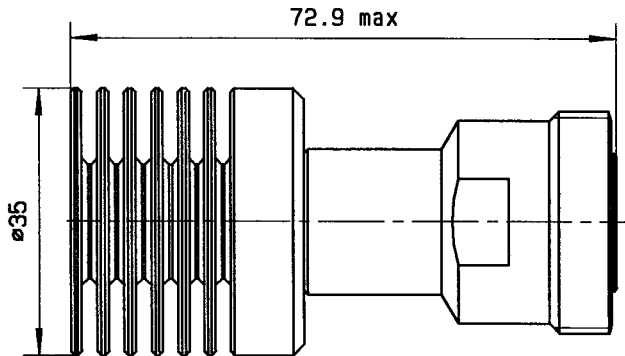




**DRAWING**



General tolerances: +/- 0.5 mm

**R F CHARACTERISTICS**

FREQUENCY RANGE	:	DC - 4 GHz
IMPEDANCE	:	50 Ohms
DC RESISTANCE	:	50 Ohms ± 5 %
V.S.W.R :	DC - 2 GHz	: ≤ 1.10
	2 - 4 GHz	: ≤ 1.20
PEAK POWER at 25°C (1µs,1%.)	:	4 kW
AVERAGE POWER at 25°C	:	12 W

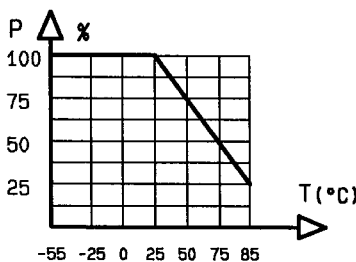
**MECHANICAL CHARACTERISTICS**

CONNECTORS	:	7/16female	per IEC 169-4
WEIGHT	:	< 165 g	

**ENVIRONMENTAL CHARACTERISTICS**

OPERATING TEMPERATURE RANGE	(°C)	:	-40 , +85
STORAGE TEMPERATURE RANGE	(°C)	:	-40 , +85

Power derating  
Versus temperature



This information is given as an indication. In the continual goal to improve our products, we reserve the right to make any modifications judged necessary

**CREATION**

N° :  
PEN/EP:H92016  
Name: MG  
Date: 05.apr.96  
APP.: AF

ISSUE

REVISIONS

NAME

APPR.

**RADIALL®**

101. rue P. Hoffmann -Z.I Ouest-  
93116 ROSNY/BOIS Cedex-FRANCE  
Phone :33(1)49353535  
Fax :33(1)48546363  
Tvx RADIA 235220F

4112-9212